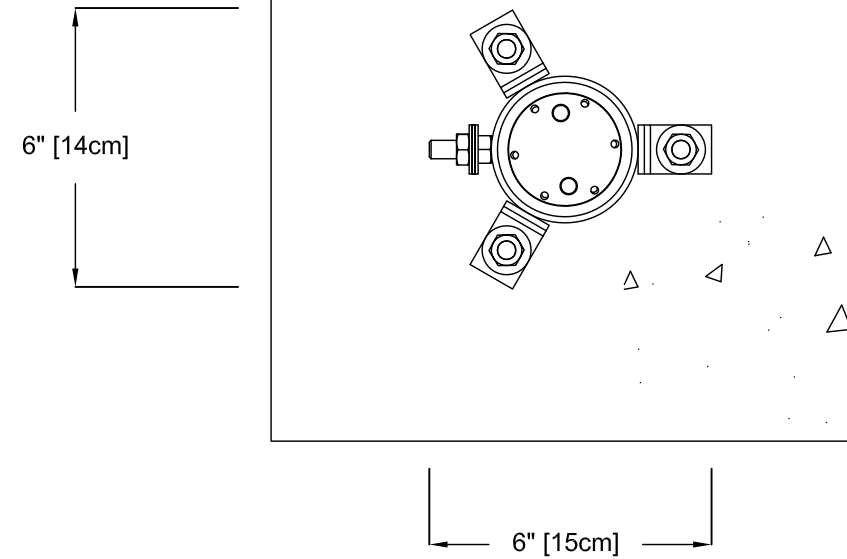


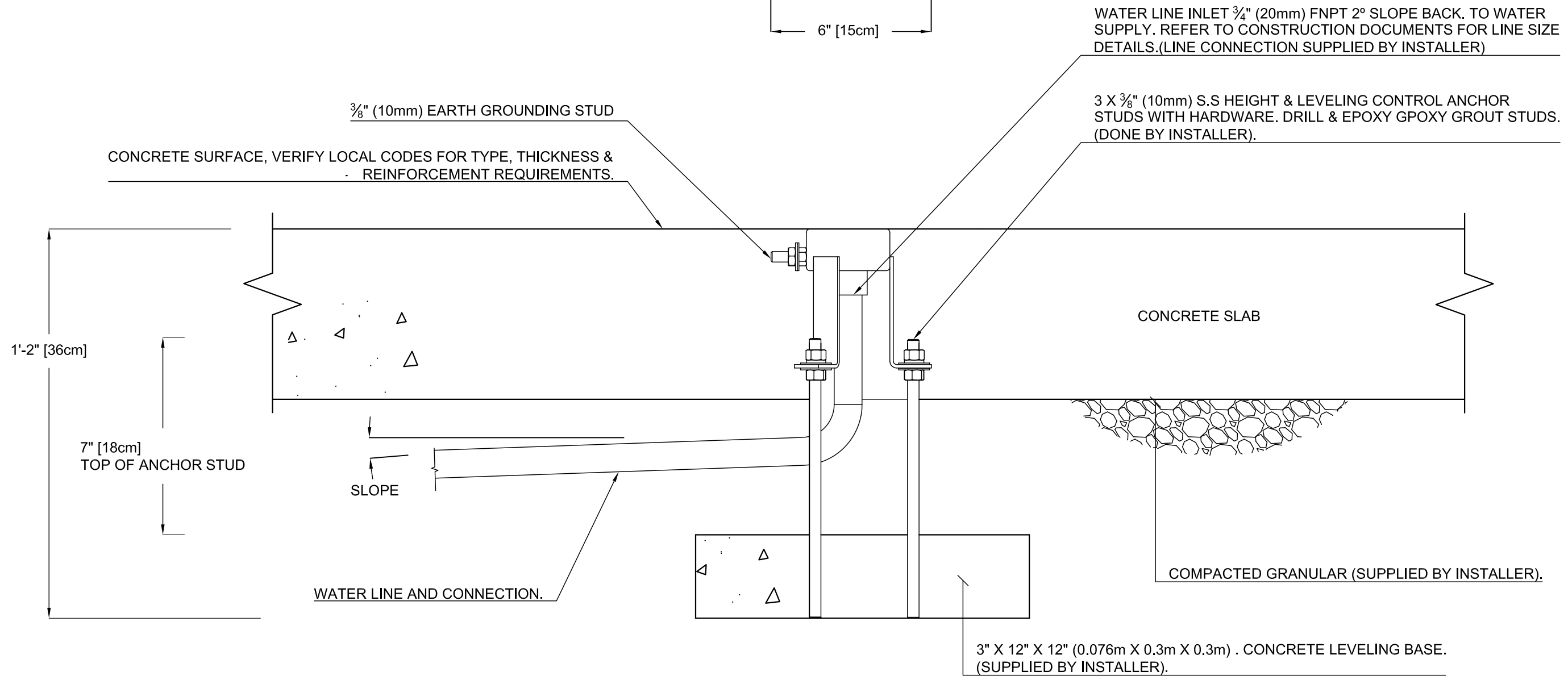
PLAN VIEW



NOTE:

"BY INSTALLER/BY CONTRACTOR "MAY REFER TO SERVICE PROVIDERS OTHER THAN THE EQUIPMENT MANUFACTURER. PLEASE REFER TO PROJECT SPECIFICATION FOR DETAILS OF RESPONSIBILITY.

FRONT ELEVATION VIEW



PRODUCT NAME: GEYSER

PRODUCT INFORMATION

PRODUCT NUMBER: VOR-0301.4XXX

DATE: 08/23/16

SHEET NO: 1/1

11"x17" SHEET SIZE

