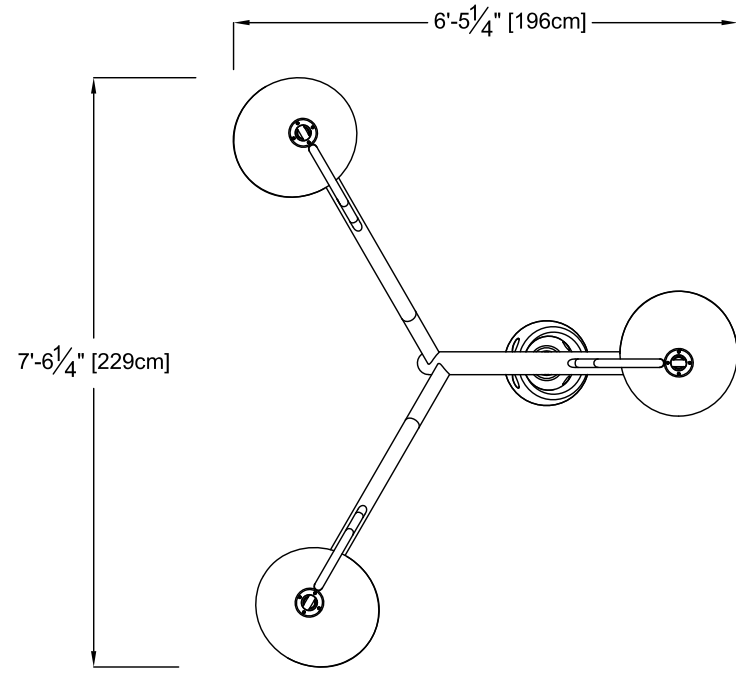
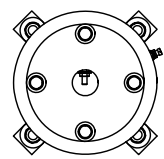


THESE DRAWINGS PROVIDE A GENERIC OVERVIEW OF THE INSTALLATION. THEY ARE NOT PROJECT SPECIFIC OR REFLECT ANY CUSTOMIZATION UNLESS NOTED. PLEASE CONTACT VORTEX AQUATIC STRUCTURES INTERNATIONAL FOR MORE DETAILS.

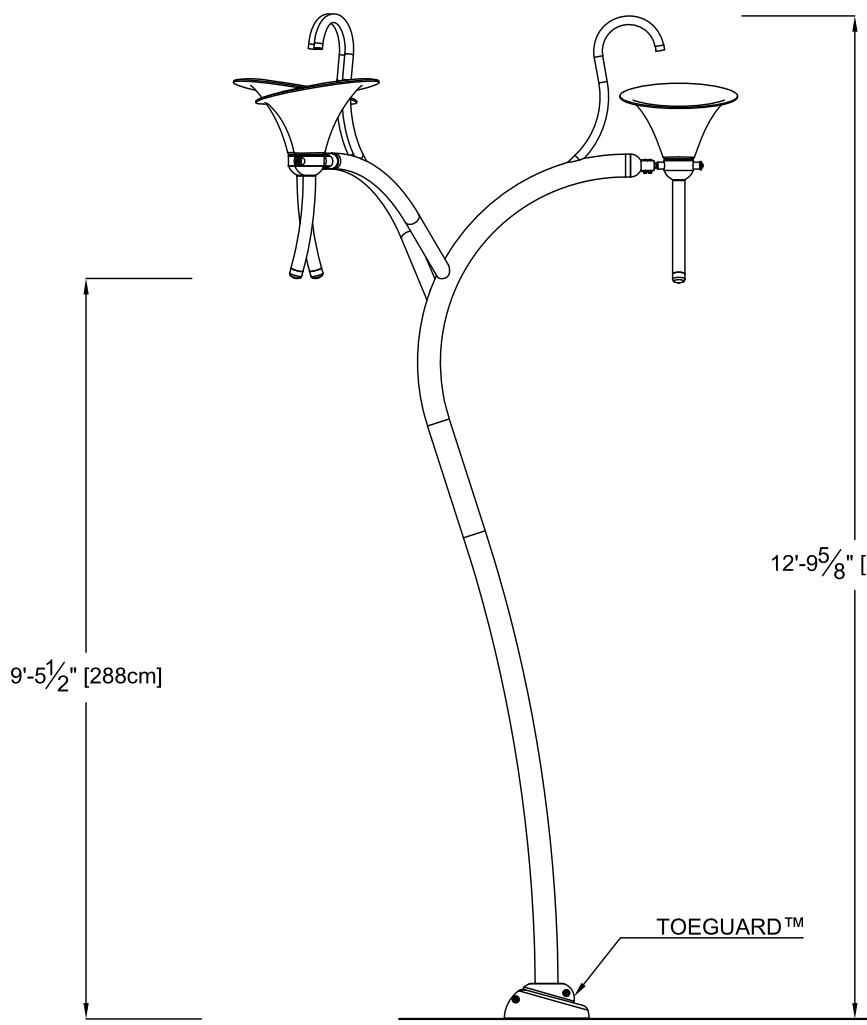
VISTA EN PLANTA



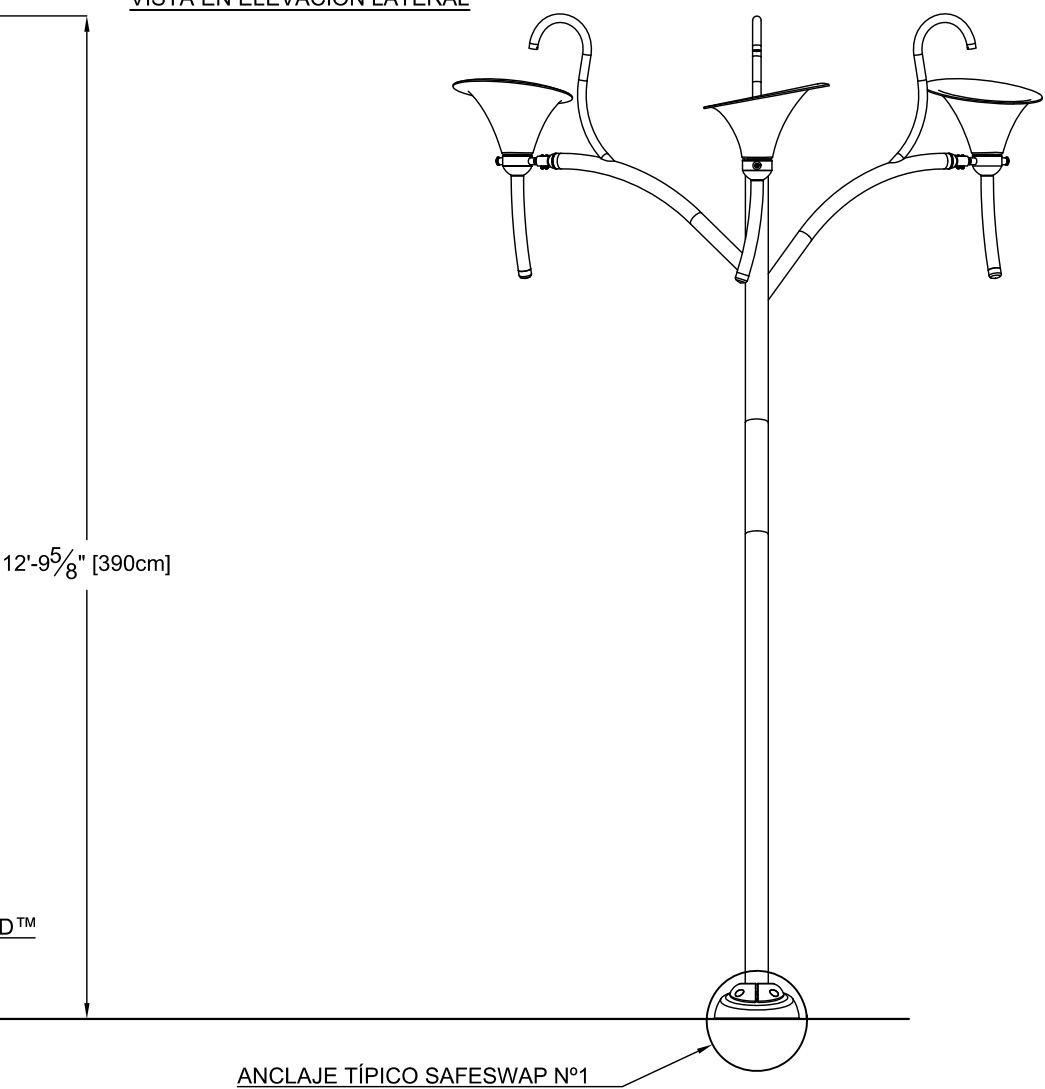
VISTA DE ORIENTACIÓN DE SAFESWAP



VISTA EN ELEVACIÓN FRONTAL



VISTA EN ELEVACIÓN LATERAL



PRODUCT NAME: FLOWER NO 9

PRODUCT NUMBER: VOR-7268.2XXX

DATE: 06/06/2024

SHEET NO: 1/1

11"x17" SHEET SIZE

